

**Executive
Committee
2005-2006**

Chairman

Kevin Reynolds
NC Consulting
reynoldsk1@asme.org
330.829.9933 ext. 224

Vice Chairman

Steve Russell
The Timken Co.
steve.russell@timken.com
330.471.2709

Treasurer

Charles Parrish
The Timken Co.
charles.parrish@timken.com
330.471.7279

Secretary

Jeremy Webb
NC Consulting
webbj2@asme.org
330.829.9933 ext. 229

Directors

Krich Sawamiphakdi
John Dougherty
Tom Southards
Xiaolan (Alan) Ai
Mike Childerson
Greg Hollinger
David Yakubek
Bruce Allmon
Tim Seifert
Pete Kropp

Committee

Chairpersons

Advisory

Krich Sawamiphakdi

CJEC

Krich Sawamiphakdi
Chandra Jain

House/Attendance

OPEN

**College Relations &
Vocational Services**

OPEN

Electronic

Communications

Kevin T. Reynolds

Fellowship & Welfare

David Yakubek

Finance & Budget

Greg Hollinger

**Government Relations/
Ohio Council**

OPEN

History & Heritage

OPEN

Honors & Awards

OPEN

Industry Relations

OPEN

Member Initiative Sys.

Rick Borowski

**Member Interest /
Membership Development**

Brian Werner

Minorities & Women

OPEN

**Newsletter Editor /
Public Relations**

Kevin Reynolds

Nominating

Steve Brister

**Professional
Development**

OPEN

Program

OPEN

Unemployed Members

Marty Nuetzel

The American Society  of Mechanical Engineers
SETTING THE STANDARD
1880 2005

Canton Alliance Massillon Section News 

Editor: Kevin T. Reynolds

March 2006

PLEASE KEEP YOUR E-MAIL ADDRESS CURRENT

Newsletters are sent by e-mail in PDF format to all members with an e-mail address on file. Paper copies are no longer sent by US mail. For those members without an e-mail address on file, you can access the Newsletter On-Line on our CAM Website as noted above.

If you would still like a hardcopy mailed, please contact Kevin Reynolds to arrange a special mailing.

Please take a moment to verify your e-mail address and keep it current at the "Members Only" tab at <http://www.asme.org>. You will need your member ID for access.

ATTENTION Members

The 2006 Year is here and we are now all electronic. Newsletters are only available through E-mail and the Webpage. However, as noted above, I can still mail a copy per special request.

UPCOMING DINNER MEETING

April 11, 2006, Topic **Third Generation Nuclear Power Plant Update**
(details page 3)

April 20, 2006, **ASME Akron Section INDUSTRY EXPO** (details page 10)

PLEASE JOIN US; YOUR PARTICIPATION IS GREATLY APPRECIATED!

CAM Section Board Meeting

Tuesday, April 11, 2006
5:30 PM at Holiday Inn,
North Canton, OH, Prior to Dinner Program

Chairman's Corner:

If you or your company has a job opportunity, please contact me to discuss a posting on our website and newsletter and link to the Akron Section Membership web site as well
(<http://www.ecgf.uakron.edu/~asme/akron/employment.html>). This posting will reach over 700 local area engineers in the Canton, Alliance, Massillon and Akron areas.

Thank you,

Kevin Reynolds
Reynoldsk1@asme.org
330.829.9933 x224

In This Issue

- 1 CAM Section News
- 6 Promote the Eclipse!
- 6 2006 First Championship
- 7 New Faces of Engineering
- 7 Spring Student Conferences
- 7 Energy Nanotechnology Conference
- 10 Akron Section –INDUSTRY EXPO

A New Technology Update:

By Kevin Reynolds

I know many of you are aware of some of the latest high tech gadgets, but I come across some of these once and awhile and just feel the need to inform others.

A coworker had asked me the other day if I had ever heard of "Go To Meeting.com". I knew nothing of this service other than the sister "Go To My PC.com" that I have heard about many times on the radio. He informed me it is the same company as the "Go To My PC" providers, but features an on-line meeting with the visuals directly from your PC desktop. You HOST A MEETING through their website, they give you an I.D. number for the others to JOIN and poof! all members invited can see your desktop in real-time. The host can also let others control your desktop (say to rotate a 3D model using your software). You can also see other's desktop if requested and you can use their software to view files or make notes etc.

According to my coworker, this program has been upgraded for better performance than in the past. It is fast and not jerky when accessing the files as described above. He actually used it with a customer the other day and the customer was blown away. They (there were more than one attendant in several locations across the country all simultaneous) were very impressed that we could demonstrate the proposal equipment we had drawn up in Inventor 3D. They were able to use our software on our PC and rotate and explore the equipment as we discussed the features and showed animated part operations. We used conference calling on our phones to talk while viewing on the PC. This type of program service is not only saving valuable travel time and costs, but allows you to use all your in house specialized programs that you may not have available on the road.

I personally am still investigating the details and benefits of this service, but have already had positive feedback from customers and continue to see great potential for future use of these types of internet services.

I have included the link in case you're curious and want to check this out for yourself. I also hear the "Go To My PC" is a great service for those road warriors that are always on the go and seem to forget that critical file or need that specialized program that you can't have installed on your laptop.

GO check this out!!

<http://www.gotomeeting.com>

<http://www.gotomypc.com>

UPCOMING DINNER PROGRAM:

“Generation III Nuclear Plant Update”

Presented by Michael T. Childerson
BWX Technologies, Inc., Barberton, Ohio

HOST SECTION: CAM ASME (Kevin Reynolds, Chairman, reynoldsk1@asme.org)

Date: Tuesday, April 11, 2006

Time: 6:00 PM Social half hour, 6:30 PM Dinner, 7:30 PM Program

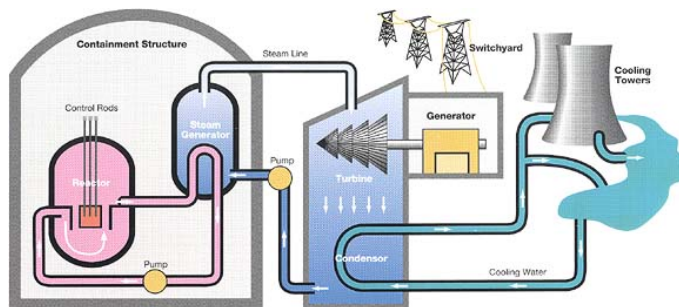
Place: Holiday Inn, 4520 Everhard Rd. NW, Canton, OH 44718 (in the heart of Belden Village Area, just off Rt. 77).

Cost: \$16 for adults, \$10 for engineering students (everyone pays at the door).

Menu: Choice of Stuffed Pork Chop, Chicken Saltimbocca (chicken breast stuffed with Italian Ham and cheeses), or Orange Roughy; main meal comes with fresh vegetable medley, house salad, oven roasted redskin potatoes and orange sherbet (Cash bar).

ABSTRACT:

Due to a number of factors, the United States is about to enter a new era in nuclear power generation and advanced research. The increased desire for emissions-free sources of energy, economic shifts in the energy sector, and the recently passed Energy Policy Act are coming together to underscore the power as part of a balanced portfolio. Many believe the build new nuclear power America. New partnerships, Nuclear, NuStart LLC and other ventures, are building the first new U.S. nuclear plants in nearly three decades.



sector, and the Act are coming need for nuclear U.S. energy time is right to plants in such as UniStar Development considering

The next generation of nuclear power plants, referred to as Generation III nuclear plants, will benefit from the world-wide nuclear industry's continued advancements in technologies and operations from past decades. So called "passively" safe designs, which reduce the reliance on human intervention, have improved confidence in the ability to operate the nuclear plants without incidents similar to the accident at Three Mile Island Unit 2 in Pennsylvania in 1979.

Many believe the new generation of power plants can be built faster and cheaper. Standardized designs will lead to greater efficiencies in all aspects of nuclear plant operations. Technological advances offer designs that are simpler and more compact, which leads to reduced construction time and costs. Improvements in the regulatory processes reduce uncertainties in licensing and construction, which lowers the costs of capital needed to finance new plants.

This talk will provide a brief overview of nuclear power in the U.S., including a description of the two leading types of reactors. The leading boiling water reactor and pressurized water reactor

designs for the new U.S. construction will be overviewed, including an animation of the construction of a plant from ground breaking through start-up operation. The recent developments in the U.S. will be discussed, including the Department of Energy's Nuclear Power 2010 Program, the 2005 Energy Policy, and licensing and public support. Finally, the developing partnerships and plans for new U.S. construction will be described.

ABOUT THE SPEAKER:

Biographical Information

Michael T. Childerson, Manager, Performance Engineering, BWX Technologies, Inc., Nuclear Equipment Division (NED) in Barberton, Ohio.



Michael T. Childerson is Manager of NED's Performance Engineering Unit which is responsible for the thermal-hydraulic design of nuclear reactor plant components. The Unit designs multi-phase heat exchangers and develops compact steam/water separation equipment, through the use of traditional and advanced analytical techniques and small and large-scale steam testing at BWX Technologies, Inc. (BWXT) facilities.

BWXT's Nuclear Equipment Division has a 100-year plus legacy that began with Babcock & Wilcox, a fabricator of boilers, commercial nuclear power plants, and other power generation related equipment. NED capabilities include full integration of the design and fabrication of some of the world's largest ASME Code thick-walled pressure vessels.

Much of Mr. Childerson's 25-year career was spent at the Babcock & Wilcox Research and Development Division (later McDermott Technology, Inc.) in Alliance, Ohio. He was involved with nuclear thermal-hydraulic research and development programs associated with the power generation industry. These programs included small break loss-of-coolant accident testing of scaled models of the Babcock & Wilcox nuclear steam supply system, and development of the Department of Energy's heavy water, new production reactor. He has authored nine technical papers.

He earned a Master's Degree in Nuclear Engineering at the University of Illinois in 1981, and is a member of the American Nuclear Society and the American Society of Mechanical Engineers. He is a Registered Professional Engineer with the State of Ohio.

“Generation III Nuclear Plant Update”

Date: Tuesday, April 11, 2006

Time: 6:00 PM Social half hour, 6:30 PM Dinner, 7:30 PM Program

Place: Holiday Inn, 4520 Everhard Rd. NW, Canton, OH 44718 (in the heart of Belden Village Area, just off Rt. 77).

Reservations: Please make reservations by contacting Kevin Reynolds (see info. Next page) or fill out the form below and send or fax to Kevin Reynolds. Please make reservations by 5:00 pm. on April 7, 2006.

Dinner selection: Choice of Chicken Breast or Orange Roughy; main meal comes with fresh vegetable medley, house salad, oven roasted redskin potatoes and orange sherbet.

Dinner prices: \$16 for adults, \$10 for engineering students (everyone pays at the door)

Please provide your name, company affiliation and dinner selection when making reservation.

RESERVATIONS -- complete the following information and submit as indicated below BEFORE APRIL 7, 2006.

Member Name: _____

Society/Section: _____

Company (if applicable): _____

Contact information (phone, fax, email) for rapid notification of plans update or confirmation.

Guests Names (spouse, friend, coworker), if applicable:

1 _____ Dinner Selection: _____

2 _____ Dinner Selection: _____

3 _____ Dinner Selection: _____

You can pay by check or cash at the meeting.

Return reservations by email, mail or fax before APRIL 7, 2006 to:

Kevin T. Reynolds
APR 2006 CAM GEN III Dinner Program
1207 W. State St. Suite B
Alliance, OH 44601

FAX: 330-829-9934, email reynoldsk1@asme.org , please put “RE: APR 2006 CAM Dinner Program” in the subject title for e-mails.

Contact/Phone: Kevin Reynolds/330.829.9933 x224 (for questions or additional information);

HOW TO ENGAGE EARLY CAREER ENGINEERS: PROMOTE THE ECLIPSE

A good leader does more than a “good job.” Good leaders find good replacements, so that the “good job” doesn’t end with their term. Good ASME unit leaders do the same. One of the best ways to maintain the activity and growth of your unit is to engage the Early Career Engineer. One way to do that is to “promote the ECLIPSE” (Early Career Leadership Intern Program to Serve Engineering).

Early Career Engineers (less than 10 years past graduation) are often eager to cut their teeth in leadership roles, but don’t have the seniority to get many opportunities in their company. Active involvement in ASME offers just such an opportunity. Many of our ASME unit leaders fall into the category of Early Career (EC) engineer. It is a real win-win scenario when we put the young energy and enthusiasm of the EC to work for ASME. The EC engineer, the ASME unit and our entire ASME society benefit.

The benefit is great enough that ASME’s Board of Governors made engaging the early career engineer one of the strategic objectives of the society (objective C2 at <http://files.asme.org/asmeorg/About/Connections/7626.pdf>). One of the programs supporting this major effort is the ECLIPSE. The new program’s goals include placing early career engineers in highly visible and productive roles within ASME, finding high-level ASME volunteers to mentor them, and providing these young engineers with ongoing leadership training.

The ECLIPSE program offers early career engineers a one-year leadership internship that includes some travel support and training. Interns are provided opportunity and exposure at the highest levels of ASME. While gaining leadership skills, the Interns have a chance to network for that next opportunity, in both their professional and their ASME careers. A future leader may apply for this internship by visiting: http://www.asme.org/Governance/Volunteer/VOLTAcademy/Early_Career_Leadership.cfm. The application deadline has been extended to April 1, and now follows the ASME Leadership Training Conference (LTC). The opportunities are there, but the awareness of them is not.

By promoting the ECLIPSE program, you will capture the attention of, and engage the EC’s in your unit; get younger members involved and enthusiastic about ASME; and build up future leaders for your unit.

By the way, it’s easy for us to speak to the truth of this subject. We were EC’s, and we both know that our personal growth was enhanced by our experience as interns in the former LDI program. ECLIPSE will do the same for many others. Send a few emails; make a few calls; spread the word - promote the ECLIPSE.

Larry Dickinson, LDI Intern, 1995-1996; Karma Snyder, LDI Intern, 2002-2003

2006 FIRST Championship

The FIRST (For Inspiration and Recognition of Science and Technology) Robotics Competition is an exciting, multinational competition that immerses middle and high school students in the world of engineering. Working with engineers who serve as mentors and advisors, students get a hands-on, inside look at the engineering profession.

The fun and excitement of FIRST Championship competition will be held **April 26-29** at the Atlanta Georgia Dome and is free and open to the public. To foster the technological literacy of society, ASME and FIRST (For Inspiration and Recognition of Science and Technology) are working together to achieve this goal. For more information visit <http://www.asme.org/Events/Contests/Partnership.cfm>

16th National Manufacturers Week

National Manufacturing Week is where engineers and executives from manufacturers of all sizes and from every industry sector meet to fuel their innovation, productivity and growth. NMW conferences will be held **March 20-23**, and exhibits **March 21-23**, at the Donald E. Stephens Convention Center in Rosemont (Chicago), Ill.

ASME will sponsor 29 sessions, including two sessions exploring the future of manufacturing in the United States. The ASME role in National Manufacturing Week reflects the Society’s outreach to engineers in industry and the organization’s support of innovation and productivity in manufacturing. For more information visit <http://www.manufacturingweek.com> or Noha El-Ghobashy, ElGhobashyN@asme.org

New Faces of Engineering for 2006



Timo Marquez Arreaza, project manager at ETH Sustainability, Zurich, Switzerland, was nominated by ASME to be among the 16 young engineers announced as New Faces of Engineering during Engineers Week 2006.

New Faces of Engineering strives to promote the accomplishments of young engineers by highlighting their engineering contributions and the resulting impact on society. Marquez is currently involved in promoting sustainable practices with several professional groups such as the American Institute of Chemical Engineers (AIChE), Engineers for a Sustainable World, and ASME, for whom he chaired the Technology and Society Sustainable Engineering Committee. He also serves as a consultant for ETH Sustainability's World YES Forum project in Zurich, where he is project manager of a 15-member team in the area of sustainability, corporate responsibility, and youth engagement.

Timo Marquez earned his BS in mechanical engineering at the University of Zulia (Venezuela) in 2000, and an MSc degree in mechanical engineering at Royal Institute of Technology (Sweden), in 2003.

RPI President Receives ASME President's Award

The Honorable Shirley Ann Jackson, Ph.D., president of Rensselaer Polytechnic Institute, received the prestigious ASME President's Award during a ceremony held on March 1 on the RPI Troy, NY campus. Susan Skemp, ASME's President from 2002-2003, presented the award in recognition of Dr. Jackson's outstanding contributions to the engineering profession and for her dedication to the promotion of diversity and inclusion in engineering education.

Established in 1998, the ASME President's Award provides an opportunity for the office of the president of the American Society of Mechanical Engineers to present special recognition to industry or to prominent individuals who have demonstrated significant contributions to the engineering profession.

A theoretical physicist and the first African-American woman to receive a doctorate from Massachusetts Institute of Technology in any subject, Dr. Jackson has enjoyed a distinguished career in industry and research, government and academe. Prior to becoming president of RPI, Dr. Jackson was appointed by President Bill Clinton to chair the U.S. Nuclear Regulatory Commission, in 1995, the first African-American to hold that position. She also served as a theoretical physicist at the former AT&T Bell Laboratories and as a professor of theoretical physics at Rutgers University.

The event was co-hosted by the RPI student chapters of ASME, NSBE, SHPE and SWE.

ASME SPRING STUDENT CONFERENCES (formerly known as the RSC'S)

ASME Student Conferences will be held between March and April 2006 throughout the ASME districts. The student conferences attract over 2,500 participants annually and are hosted by ME/MET Departments at selected universities or by ASME Sections. They take place over 1 to 3 days at the host campus or a nearby location. In addition to professional development sessions or workshops, grad school seminars or career fairs, these conferences also include the following ASME competitions: The Student Design Competition, The Old Guard Prize - Oral Presentation Competition, The Old Guard Technical Poster Competition and The Old Guard Technical Webpage Competition. Visit the student conference website for dates and locations. http://www.asme.org/Communities/Students/2006_Spring_Student.cfm

Energy Nanotechnology International Conference Set for June

Featuring presentations on the role of nanotechnology in energy conversion, storage and utilization, the Energy Nanotechnology Int'l Conference will be held **June 26-28, 2006**, at the Massachusetts Institute of Technology in Cambridge.

Engineers and scientists on the leading edge of research in nanotechnology will interface with professionals engaged in the national debate over alternative energy technologies to reduce America's dependence on oil and natural gas. The ASME Nanotechnology Institute is a sponsor of this event. For more information visit <http://www.asmeconferences.org/energynano06/>

Frontiers in Biomedical Devices 2006

The ASME Nanotechnology Institute presents Frontiers in Biomedical Devices 2006, to be held **June 8-9, 2006** at the McDonnell Douglas Engineering Auditorium at the University California at Irvine campus.

Leading authorities in the commercial and academic arenas will focus their expertise in 4 intense meeting tracks including: Physiological & pathological environment for medical devices, Monitoring & imaging techniques, Device development, Regulatory & clinical issues. The conference also includes an evening reception, exposition and poster session on June 8th at the University Club. General Audience and Student Registration fees include access to all sessions, one copy of the conference proceedings, daily coffee/tea breaks, lunches, and conference reception/poster session/exhibit. For more details visit <http://www.asmeconferences.org/NanoBio06/> or contact Brandy Smith at 917-596-0306 or email: smithb@asme.org

Student Activity Calendar

March

March 1 [Old Guard Early Career Engineer Essay Competition](#) deadline

March 1 [Old Guard Young Engineers Award](#)

March 15 [ASME Scholarship Online Application deadline](#)

March 20 [National Manufacturing Week](#)

April

April 27 [2006 FIRST Championship](#)

May

May 8 [Turbo Expo 2006](#)

ASME SCHOLARSHIPS AVAILABLE

ASME awards nearly \$100,000 in academic scholarships annually to Student Members worldwide. Applications for the 2006-07 academic year will be accepted online from February 1 through March 15, 2006. For more information, please visit:

<http://www.asme.org/Education/FinancialAid/Scholarships/Scholarships.cfm>

Call For Nominations: ASME ABET Degree Program Evaluators

The Center for Education is accepting nominations for ASME ABET Mechanical Engineering/Mechanical Engineering Technology and related degree program evaluators.

As a Participating Society of ABET Inc. (the Accreditation Board for Engineering and Technology), ASME is responsible for 428 degree programs in the U.S. and for establishing a diverse cadre of highly qualified and highly committed ME/MET Program Evaluators to assume the very sensitive and important role of assessing undergraduate degree programs against established criteria.

All ASME program evaluators must submit a completed nomination, be selected, participate in a training workshop, and serve as an observer on an on-campus evaluation team visit prior to being placed on the roster of "active" evaluators for a period of 5 years. Serving on an assessment team for a degree program is very professionally and personally rewarding and an important means of "giving back" to and supporting the future advancement of the engineering profession.

Qualifications:

- 10+ years professional experience in either industry, government, or academia
- ASME member in good standing
- Graduate degree a plus
- ***Women, minorities, and engineers working in industry or government are especially encouraged to apply***

Additional information including an application form can be found at:

www.asme.org/Education/CertifAccred/Become_Evaluator.cfm

Nominations should be submitted by March 30 and forwarded to: Amy Bentow, Manager, Education, ASME Three Park Avenue, New York, NY 10016. Phone: 1-212-591-7880 Email: bentowa@asme.org

Katrina Loans Available for Eligible Students

ASME has established a fast track student loan for mechanical engineering students who have been adversely affected by Hurricanes Katrina & Rita. Applications will be accepted on a continuous basis thru June 30, 2006.

For more information contact Maisha Phillips at (212) 591-7371 or PhillipsM@asme.org. Additional information can also be obtained by visiting the Web site at <http://www.asme.org/education/enged/aid/loan.htm>

LOW INTEREST STUDENT LOANS

The ASME Summer/Fall 2006 Student Loan Application will be available online from Feb. 15, 2006 through April 15, 2006. Don't miss out on this opportunity. The loan rate for the 2006-07 academic year is only 4.3%. For more information, please visit:

http://www.asme.org/Education/FinancialAid/Loans/Student_Loan_Funds.cfm.



AKRON ASME INDUSTRY EXPO
APRIL 20th, 2006

SUBJECT: Invitation to Participate-ASME 2006 Industry Expo

Dear ASME Friend:

The Akron Section of The American Society of Mechanical Engineers is planning the annual Industry Expo to be held on Thursday, April 20th, 2006 at Sons of Herman in Akron.

One of the goals of the Akron Section is to bring together its members, students, and local industry representatives for professional development. *Industry Expo* has become the Akron Section's *most well attended meeting* of the year. The meeting serves our local industry by providing them a forum to display company capabilities and products in a "table top" trade show to working engineers and graduating engineering seniors. Distribution of business cards and product brochures is encouraged. Our membership benefits by becoming more aware of products and services available from the local area. Graduating seniors who usually have few vendor contacts prior to leaving school, begin to establish important contacts at this meeting. The section continues to fulfill its goal of bringing together engineers, students, and industry.

The date of this meeting was set with assistance from The University of Akron Department of Mechanical Engineering Faculty, the officers of Student Section of ASME, and members of the Student SAE teams to assure high student attendance.

All technical personnel are welcome. This provides the industry representatives the opportunity to meet additional engineers who work in surrounding areas.

Each participating company will be given an approximate 3' x 8' table to display their products. Company representatives will discuss their capabilities and answer attendee's questions as attendees pass from company to company.

Participating companies will be acknowledged in our newsletter prior to the meeting. Additionally, sponsor companies will be presented as a supporter of our section and your company's business card will be included in next year's newsletters. Our newsletter is currently being circulated to over 500 local ASME members. The newsletter and an additional sponsor link are posted on the internet.

All participating companies are asked to donate \$100.00 to the Section to be used to:

- Offset the hall rental and food costs for the night

C.A.M. SECTION WEBSITE: <http://sections.asme.org/cam>

- Offset newsletter costs throughout next year
- Source for award money for student competitions
- Source of support money for the University of Akron Student ASME Chapter
- Assists with the reduced costs ASME charges students for monthly meetings

Please submit the following items by mail and/or E-mail by April 7th, 2006:

- \$100.00 donation (Check made out to ASME-Akron Section is most convenient)
- A short paragraph describing your company and indicate reps who will participate. (E-mail the paragraph if possible.)
- A business card to be copied and used throughout the year to acknowledge your support for the section. (E-mail the business card if possible.)

Forwarding items by E-mail to jmparish1@aol.com will streamline our process. Forward items by mail to:

James Parish
Industry Expo Committee Chair
Akron ASME Industry Expo
c/o J.M.Parish Enterprises, LLC
PO Box 176
Wadsworth, OH 44282

Please call me at 330-321-5090 for event information or how the Akron Section can serve your needs. You will be receiving a call from a member of our Planning Committee in the next couple of weeks to discuss any questions or comments that you may have in regards to this event.

The Akron Section appreciates your support.

Thank you.

Sincerely,

James Parish, PE
Industry Expo Committee Chairman
ASME International

Planning Committee:
Ward Judson, Ph.D.
Scott Lindner
Matt Pruszynski
Brent Sisler, P.E.

J.M.PARISH ENTERPRISES, LLC – PO Box 176 – Wadsworth, OH 44282
Cell Phone: 330-321-5090 – Phone: 330-239-5304 – Fax: 330-856-3654 – E-Mail: jmparish1@aol.com